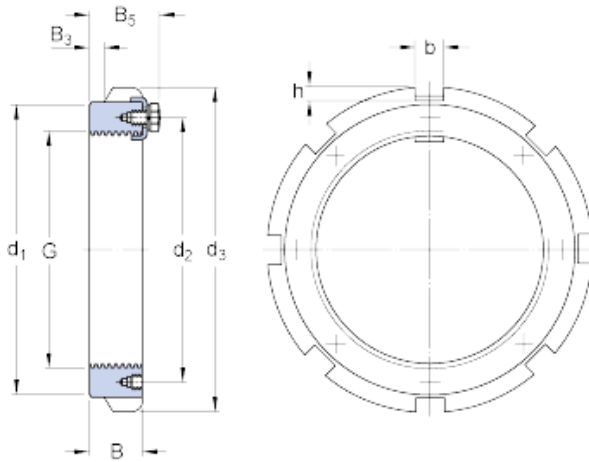




# GF BEARING-SINGAPORE LTD.



skf HME 30/560 Lock nuts requiring a keyway  
(metric)

Bearing No. HME 30/560

G	Tr 560x6
d <sub>3</sub>	650 mm
B	75 mm
d <sub>1</sub>	610 mm
d <sub>2</sub>	583 mm
B <sub>3</sub>	15 mm
B <sub>5</sub>	97 mm
b	40 mm
h	20 mm
Mass lock nut	41 kg
Associated spanner	TMFN 500-600
Associated eyebolt for handling	M 10

HME 30/560 Bearing 2D drawings and 3D CAD models