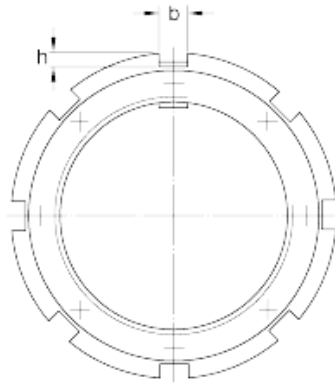
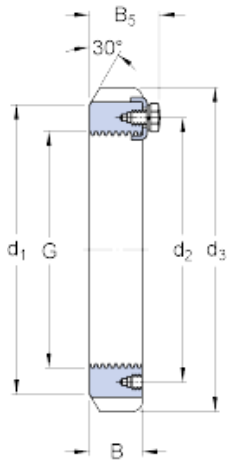




GF BEARING-SINGAPORE LTD.



skf HM 31/950 Lock nuts requiring a keyway
(metric)

Bearing No. HM 31/950

G	Tr 950x8
d ₃	1170 mm
B	125 mm
d ₁	1080 mm
d ₂	1017 mm
B ₅	154 mm
b	70 mm
h	38 mm
Mass lock nut	334 kg
Associated eyebolt for handling	M 24

HM 31/950 Bearing 2D drawings and 3D CAD models