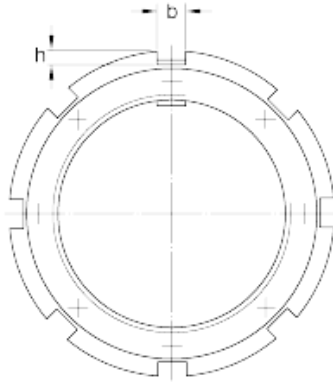
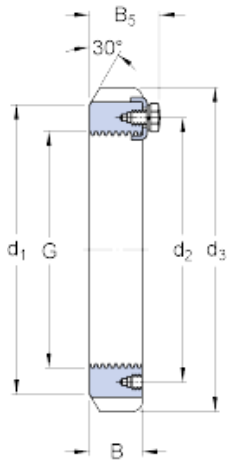




GF BEARING-SINGAPORE LTD.



skf HM 3096 Lock nuts requiring a keyway
(metric)

Bearing No. HM 3096

G	Tr 480x5
d ₃	560 mm
B	60 mm
d ₁	530 mm
d ₂	503 mm
B ₅	77 mm
b	36 mm
h	15 mm
Mass lock nut	29.4 kg
Associated spanner	TMFN 80-500
Associated eyebolt for handling	M 10

HM 3096 Bearing 2D drawings and 3D CAD models