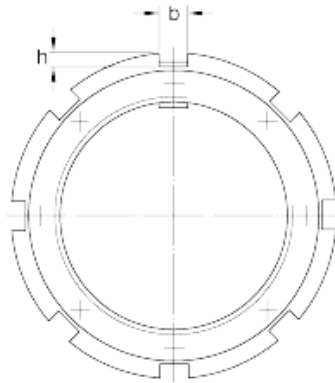
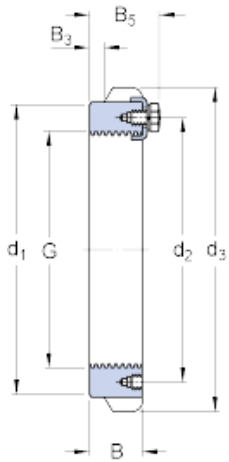




GF BEARING-SINGAPORE LTD.



skf HME 3080 Lock nuts requiring a keyway
(metric)

Bearing No. HME 3080

G	Tr 400x5
d ₃	470 mm
B	52 mm
d ₁	442 mm
d ₂	419 mm
B ₃	10 mm
B ₅	66 mm
b	28 mm
h	14 mm
Mass lock nut	16 kg
Associated spanner	TMFN 64-80

HME 3080 Bearing 2D drawings and 3D CAD models