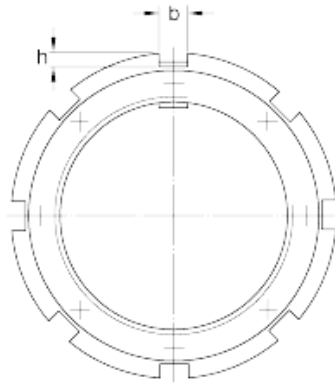
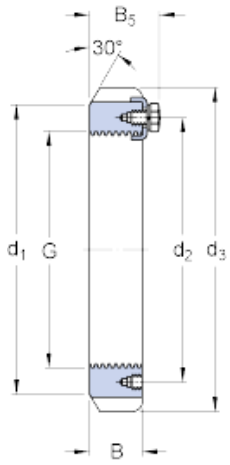




# GF BEARING-SINGAPORE LTD.



skf HM 31/850 Lock nuts requiring a keyway  
(metric)

Bearing No. HM 31/850

G	Tr 850x7
d <sub>3</sub>	1060 mm
B	118 mm
d <sub>1</sub>	975 mm
d <sub>2</sub>	914 mm
B <sub>5</sub>	145 mm
b	70 mm
h	38 mm
Mass lock nut	268 kg
Associated eyebolt for handling	M 20

HM 31/850 Bearing 2D drawings and 3D CAD models