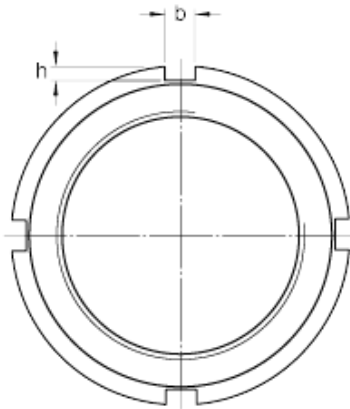
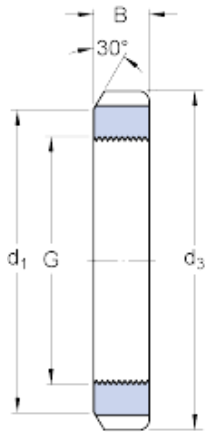




GF BEARING-SINGAPORE LTD.



skf KM 0 Lock nuts requiring a keyway (metric)

Bearing No. KM 0

G	M 10x0.75
d ₃	18 mm
B	4 mm
d ₁	13.5 mm
b	3 mm
h	2 mm
Axial static load carrying capacity	9.8 kN
Mass lock nut	0.004 kg
Associated spanner	HN 0

KM 0 Bearing 2D drawings and 3D CAD models