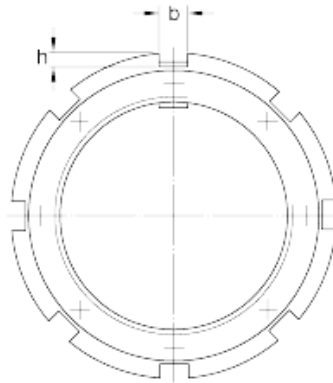
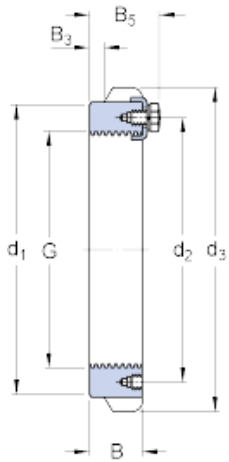




GF BEARING-SINGAPORE LTD.



skf HME 3172 Lock nuts requiring a keyway
(metric)

Bearing No. HME 3172

G	Tr 360x5
d ₃	460 mm
B	58 mm
d ₁	406 mm
d ₂	393 mm
B ₃	10 mm
B ₅	75 mm
b	28 mm
h	15 mm
Mass lock nut	24 kg
Associated spanner	TMFN 64-80
Associated eyebolt for handling	M 10

HME 3172 Bearing 2D drawings and 3D CAD models