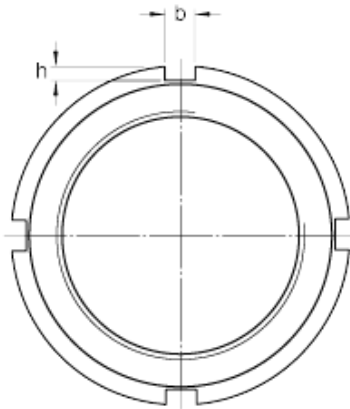
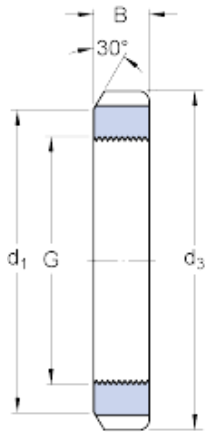




GF BEARING-SINGAPORE LTD.



skf KM 3 Lock nuts requiring a keyway (metric)

Bearing No. KM 3

G	M 17x1
d ₃	28 mm
B	5 mm
d ₁	24 mm
b	4 mm
h	2 mm
Axial static load carrying capacity	19.6 kN
Mass lock nut	0.012 kg
Associated spanner	HN 2-3

KM 3 Bearing 2D drawings and 3D CAD models