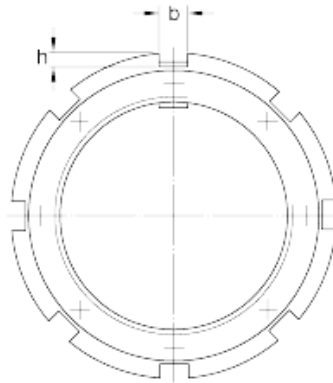
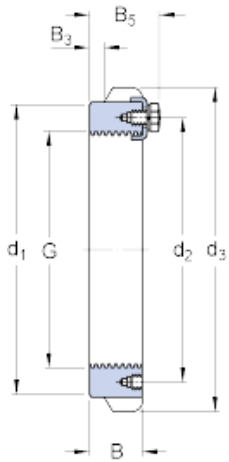




GF BEARING-SINGAPORE LTD.



skf HME 3052 Lock nuts requiring a keyway
(metric)

Bearing No. HME 3052

G	Tr 260x4
d ₃	310 mm
B	34 mm
d ₁	288 mm
d ₂	273 mm
B ₃	8 mm
B ₅	46 mm
b	20 mm
h	10 mm
Mass lock nut	4.3 kg
Associated spanner	TMFN 40-52

HME 3052 Bearing 2D drawings and 3D CAD models