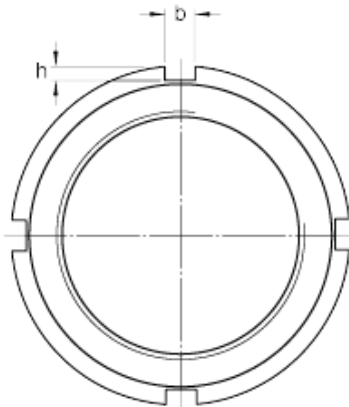
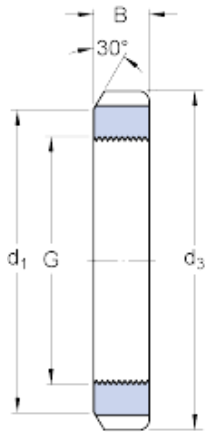




GF BEARING-SINGAPORE LTD.



skf KM 17 Lock nuts requiring a keyway
(metric)

Bearing No. KM 17

G	M 85x2
d ₃	110 mm
B	16 mm
d ₁	102 mm
b	8 mm
h	3.5 mm
Axial static load carrying capacity	190 kN
Mass lock nut	0.41 kg
Associated spanner	HN 17

KM 17 Bearing 2D drawings and 3D CAD models