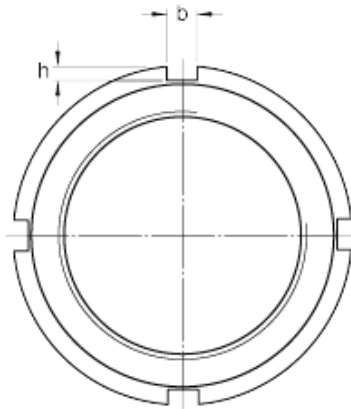
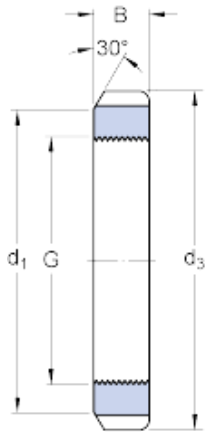




# GF BEARING-SINGAPORE LTD.



skf KM 15 Lock nuts requiring a keyway  
(metric)

Bearing No. KM 15

G	M 75x2
d <sub>3</sub>	98 mm
B	13 mm
d <sub>1</sub>	90 mm
b	8 mm
h	3.5 mm
Axial static load carrying capacity	134 kN
Mass lock nut	0.27 kg
Associated spanner	HN 15

KM 15 Bearing 2D drawings and 3D CAD models