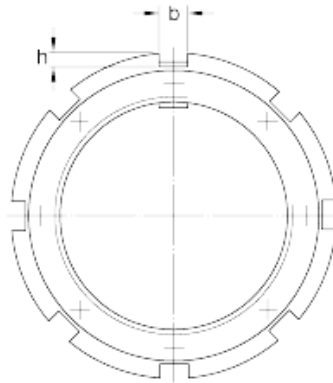
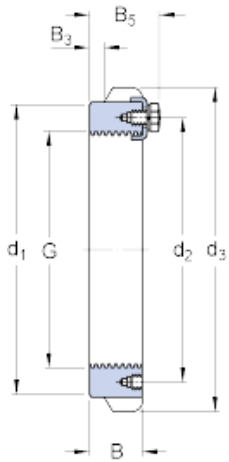




# GF BEARING-SINGAPORE LTD.



skf HME 3044 Lock nuts requiring a keyway  
(metric)

Bearing No. HME 3044

G	Tr 220x4
d <sub>3</sub>	260 mm
B	30 mm
d <sub>1</sub>	237 mm
d <sub>2</sub>	229 mm
B <sub>3</sub>	5 mm
B <sub>5</sub>	41 mm
b	20 mm
h	9 mm
Mass lock nut	2.5 kg
Associated spanner	TMFN 40-52

HME 3044 Bearing 2D drawings and 3D CAD models