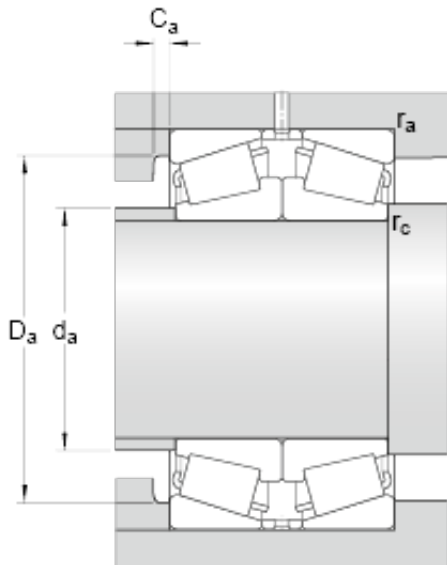




GF BEARING-SINGAPORE LTD.



31312/DF Bearing 2D drawings and 3D CAD models

skf 31312/DF Matched Single row tapered roller bearings arranged face-to-face

Bearing No. 31312/DF

d	60 mm
D	130 mm
T	67 mm
2B	62 mm
b	13 mm
K	10 mm
$r_{3,4}$ min.	2.5 mm
r_5 min.	1 mm
d_a max.	74 mm
D_a min.	103 mm
D_a max.	119.5 mm
C_a min.	5 mm
r_a max.	2.5 mm
r_c max.	1 mm
Basic dynamic load rating C	303 kN
Basic static load rating C_0	335 kN
Fatigue load limit P_u	40.5 kN
Reference speed	3000 r/min
Limiting speed	5300 r/min
Calculation factor e	0.83
Calculation factor Y_1	0.81
Calculation factor Y_2	1.2
Calculation factor Y_0	0.8
Mass bearing pair	4.06 kg