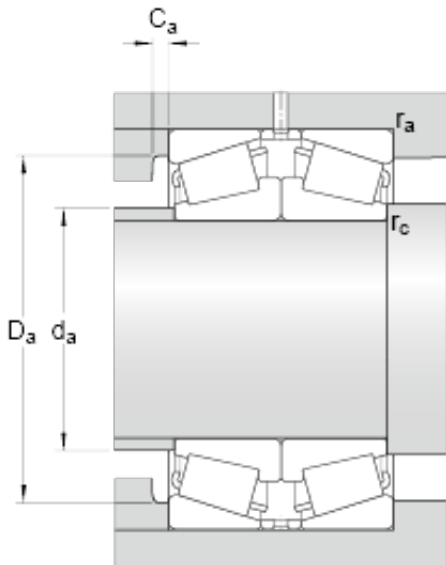




GF BEARING-SINGAPORE LTD.



33015/DF Bearing 2D drawings and 3D CAD models

skf 33015/DF Matched Single row tapered roller bearings arranged face-to-face

Bearing No. 33015/DF

| | |
|--------------------------------|------------|
| d | 75 mm |
| D | 115 mm |
| T | 62 mm |
| 2B | 62 mm |
| b | 7.2 mm |
| K | 5 mm |
| $r_{3,4}$ min. | 1.5 mm |
| r_5 min. | 0.6 mm |
| d_a max. | 84 mm |
| D_a min. | 104 mm |
| D_a max. | 106.5 mm |
| C_a min. | 6 mm |
| r_a max. | 1.5 mm |
| r_c max. | 0.6 mm |
| Basic dynamic load rating C | 286 kN |
| Basic static load rating C_0 | 455 kN |
| Fatigue load limit P_u | 52 kN |
| Reference speed | 3600 r/min |
| Limiting speed | 5300 r/min |
| Calculation factor e | 0.3 |
| Calculation factor Y_1 | 2.3 |
| Calculation factor Y_2 | 3.4 |
| Calculation factor Y_0 | 2.2 |
| Mass bearing pair | 2.41 kg |