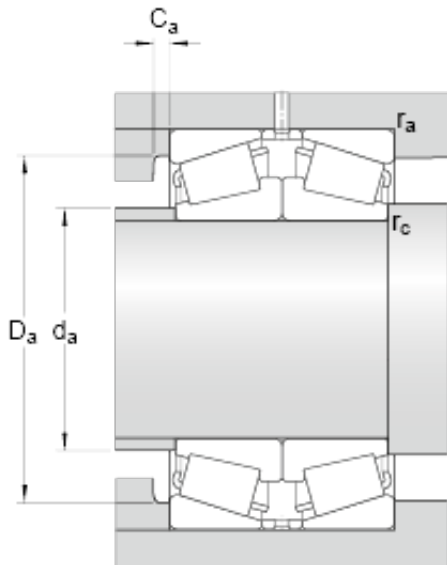




# GF BEARING-SINGAPORE LTD.



30236/DF Bearing 2D drawings and 3D CAD models

skf 30236/DF Matched Single row tapered roller bearings arranged face-to-face

Bearing No. 30236/DF

d	180 mm
D	320 mm
T	114 mm
2B	104 mm
b	15 mm
K	10 mm
$r_{3,4}$ min.	4 mm
$r_5$ min.	1.5 mm
$d_a$ max.	212 mm
$D_a$ min.	278 mm
$D_a$ max.	303.5 mm
$C_a$ min.	8 mm
$r_a$ max.	4 mm
$r_c$ max.	1.5 mm
Basic dynamic load rating C	1079 kN
Basic static load rating $C_0$	1630 kN
Fatigue load limit $P_u$	160 kN
Reference speed	1200 r/min
Limiting speed	2000 r/min
Calculation factor e	0.46
Calculation factor $Y_1$	1.5
Calculation factor $Y_2$	2.2
Calculation factor $Y_0$	1.4
Mass bearing pair	35.5 kg