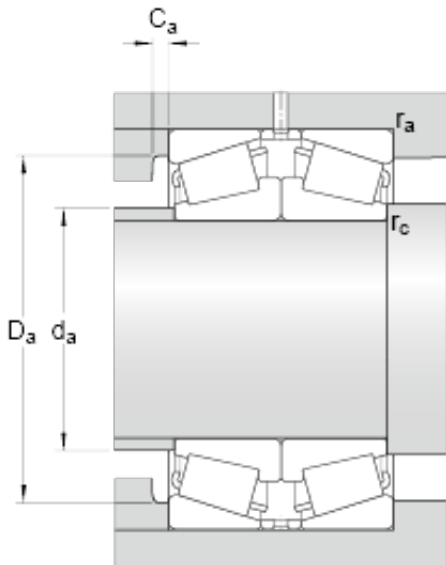




GF BEARING-SINGAPORE LTD.



30230/DF Bearing 2D drawings and 3D CAD models

skf 30230/DF Matched Single row tapered roller bearings arranged face-to-face

Bearing No. 30230/DF

| | |
|--------------------------------|------------|
| d | 150 mm |
| D | 270 mm |
| T | 98 mm |
| 2B | 90 mm |
| b | 15 mm |
| K | 10 mm |
| $r_{3,4}$ min. | 3 mm |
| r_5 min. | 1 mm |
| d_a max. | 176 mm |
| D_a min. | 234 mm |
| D_a max. | 256 mm |
| C_a min. | 9 mm |
| r_a max. | 3 mm |
| r_c max. | 1 mm |
| Basic dynamic load rating C | 781 kN |
| Basic static load rating C_0 | 1120 kN |
| Fatigue load limit P_u | 114 kN |
| Reference speed | 1400 r/min |
| Limiting speed | 2400 r/min |
| Calculation factor e | 0.43 |
| Calculation factor Y_1 | 1.6 |
| Calculation factor Y_2 | 2.3 |
| Calculation factor Y_0 | 1.6 |
| Mass bearing pair | 22.1 kg |