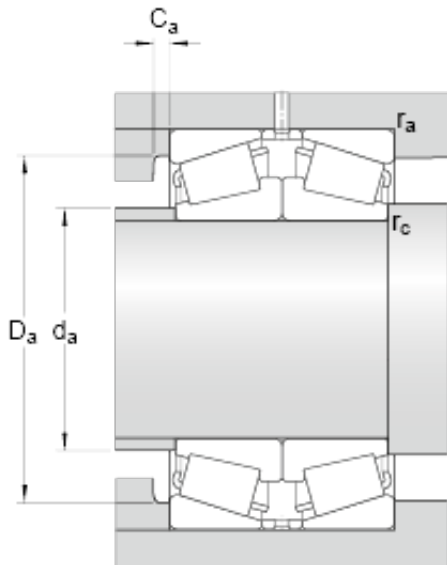




GF BEARING-SINGAPORE LTD.



32222/DF Bearing 2D drawings and 3D CAD models

skf 32222/DF Matched Single row tapered roller bearings arranged face-to-face

Bearing No. 32222/DF

d	110 mm
D	200 mm
T	112 mm
2B	106 mm
b	11 mm
K	7.5 mm
$r_{3,4}$ min.	2.5 mm
r_5 min.	1 mm
d_a max.	127 mm
D_a min.	170 mm
D_a max.	188 mm
C_a min.	6 mm
r_a max.	2.5 mm
r_c max.	1 mm
Basic dynamic load rating C	842 kN
Basic static load rating C_0	1140 kN
Fatigue load limit P_u	122 kN
Reference speed	2200 r/min
Limiting speed	3200 r/min
Calculation factor e	0.43
Calculation factor Y_1	1.6
Calculation factor Y_2	2.3
Calculation factor Y_0	1.6
Mass bearing pair	14.5 kg