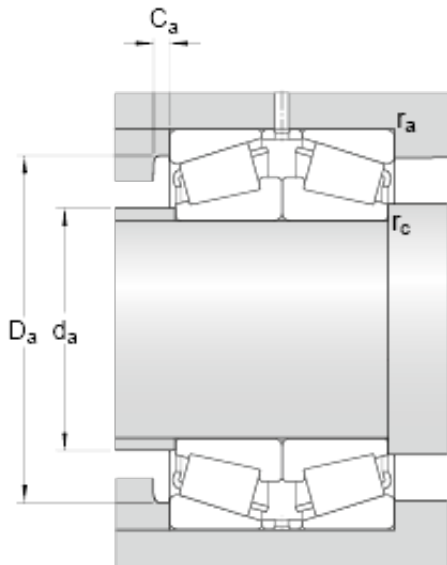




## GF BEARING-SINGAPORE LTD.



33210/DF Bearing 2D drawings and 3D CAD models

skf 33210/DF Matched Single row tapered roller bearings arranged face-to-face

Bearing No. 33210/DF

|                                |            |
|--------------------------------|------------|
| d                              | 50 mm      |
| D                              | 90 mm      |
| T                              | 64 mm      |
| 2B                             | 64 mm      |
| b                              | 9 mm       |
| K                              | 5 mm       |
| $r_{3,4}$ min.                 | 1.5 mm     |
| $r_5$ min.                     | 0.6 mm     |
| $d_a$ max.                     | 57 mm      |
| $D_a$ min.                     | 77 mm      |
| $D_a$ max.                     | 82 mm      |
| $C_a$ min.                     | 5 mm       |
| $r_a$ max.                     | 1.5 mm     |
| $r_c$ max.                     | 0.6 mm     |
| Basic dynamic load rating C    | 243 kN     |
| Basic static load rating $C_0$ | 320 kN     |
| Fatigue load limit $P_u$       | 36.5 kN    |
| Reference speed                | 4800 r/min |
| Limiting speed                 | 7000 r/min |
| Calculation factor e           | 0.4        |
| Calculation factor $Y_1$       | 1.7        |
| Calculation factor $Y_2$       | 2.5        |
| Calculation factor $Y_0$       | 1.6        |
| Mass bearing pair              | 1.77 kg    |