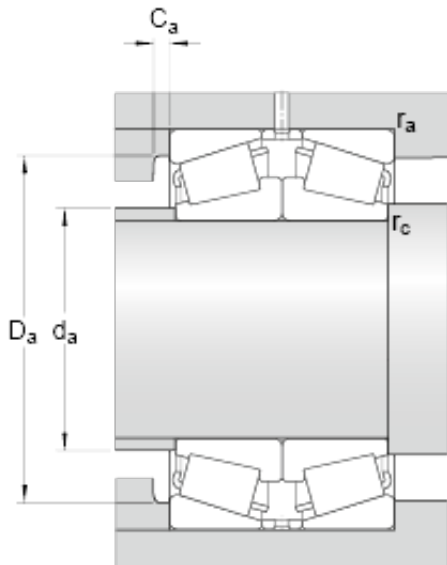




# GF BEARING-SINGAPORE LTD.

skf 32010 X/DF Matched Single row tapered roller bearings arranged face-to-face



32010 X/DF Bearing 2D drawings and 3D CAD models

Bearing No. 32010 X/DF

d	50 mm
D	80 mm
T	40 mm
2B	40 mm
b	5.5 mm
K	4.5 mm
$r_{3,4}$ min.	1 mm
$r_5$ min.	0.3 mm
$d_a$ max.	57 mm
$D_a$ min.	72 mm
$D_a$ max.	73.5 mm
$C_a$ min.	4 mm
$r_a$ max.	1 mm
$r_c$ max.	0.3 mm
Basic dynamic load rating C	129 kN
Basic static load rating $C_0$	176 kN
Fatigue load limit $P_u$	19.3 kN
Reference speed	5300 r/min
Limiting speed	8000 r/min
Calculation factor e	0.43
Calculation factor $Y_1$	1.6
Calculation factor $Y_2$	2.3
Calculation factor $Y_0$	1.6
Mass bearing pair	0.78 kg