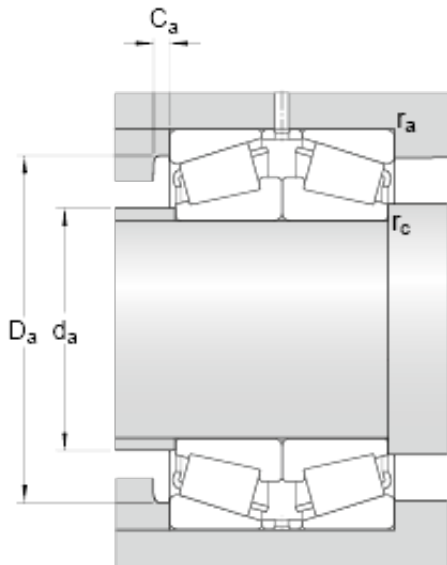




GF BEARING-SINGAPORE LTD.



32240/DF Bearing 2D drawings and 3D CAD models

skf 32240/DF Matched Single row tapered roller bearings arranged face-to-face

Bearing No. 32240/DF

d	200 mm
D	360 mm
T	208 mm
2B	196 mm
b	15 mm
K	10 mm
$r_{3,4}$ min.	4 mm
r_5 min.	1 mm
d_a max.	231 mm
D_a min.	302 mm
D_a max.	343 mm
C_a min.	11 mm
r_a max.	4 mm
r_c max.	1 mm
Basic dynamic load rating C	2229 kN
Basic static load rating C_0	4000 kN
Fatigue load limit P_u	360 kN
Reference speed	1000 r/min
Limiting speed	1700 r/min
Calculation factor e	0.4
Calculation factor Y_1	1.7
Calculation factor Y_2	2.5
Calculation factor Y_0	1.6
Mass bearing pair	88.1 kg