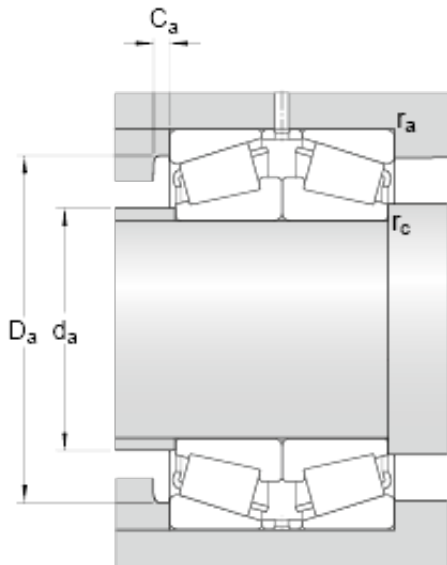




GF BEARING-SINGAPORE LTD.



33115/DF Bearing 2D drawings and 3D CAD models

skf 33115/DF Matched Single row tapered roller bearings arranged face-to-face

Bearing No. 33115/DF

d	75 mm
D	125 mm
T	74 mm
2B	74 mm
b	9.37 mm
K	7 mm
$r_{3,4}$ min.	1.5 mm
r_5 min.	0.6 mm
d_a max.	84 mm
D_a min.	109 mm
D_a max.	116.5 mm
C_a min.	6 mm
r_a max.	1.5 mm
r_c max.	0.6 mm
Basic dynamic load rating C	370 kN
Basic static load rating C_0	530 kN
Fatigue load limit P_u	60 kN
Reference speed	3400 r/min
Limiting speed	5000 r/min
Calculation factor e	0.4
Calculation factor Y_1	1.7
Calculation factor Y_2	2.5
Calculation factor Y_0	1.6
Mass bearing pair	3.64 kg