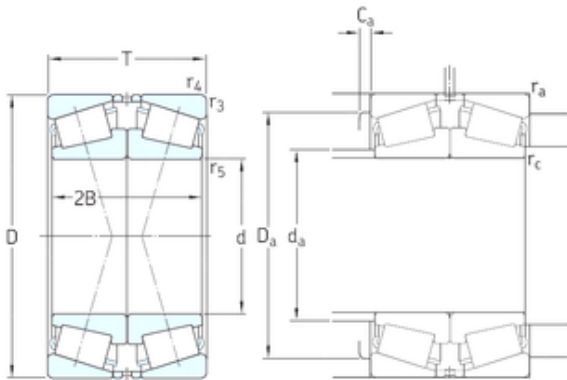




GF BEARING-SINGAPORE LTD.



130 mm x 180 mm x 32 mm skf 32926/DF
Matched Single row tapered roller bearings
arranged face-to-face

Bearing No. 32926/DF

Size	130x180x64 mm
Bore Diameter	130 mm
Outer Diameter	180 mm
Width	64 mm
d	130 mm
D	180 mm
T	64 mm
B	32 mm
r3 min.	1,5 mm
r4 min.	1,5 mm
r5 min.	0,6 mm
2B	64 mm
Ca max.	6 mm
da max	141 mm
Da min	167 mm
Da max.	172 mm
ra max.	1,5 mm
rc max.	0,6 mm
Weight	4,95 Kg
Basic dynamic load rating (C)	341 kN
Basic static load rating (C0)	735 kN
Fatigue load limit (Pu)	76,5
Reference speed	2000 r/min
Limiting speed	3600 r/min

32926/DF Bearing 2D drawings and 3D CAD models



GF BEARING-SINGAPORE LTD.

Calculation factor (e)	0,33
Calculation factor (Y0)	2
Calculation factor (Y1)	2
b	6 mm
K	4.5 mm
r _{3,4} min.	1.5 mm
r ₅ min.	0.6 mm
d _a max.	141 mm
D _a min.	167 mm
D _a max.	170 mm
C _a min.	6 mm
r _a max.	1.5 mm
r _c max.	0.6 mm
Basic dynamic load rating C	420 kN
Basic static load rating C ₀	735 kN
Fatigue load limit P _u	76.5 kN
Calculation factor e	0.33
Calculation factor Y ₁	2
Calculation factor Y ₂	3
Calculation factor Y ₀	2
Mass bearing pair	4.94 kg