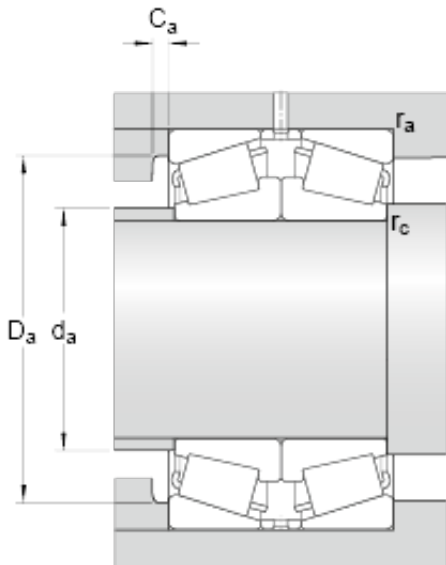




GF BEARING-SINGAPORE LTD.



33212/DF Bearing 2D drawings and 3D CAD models

skf 33212/DF Matched Single row tapered roller bearings arranged face-to-face

Bearing No. 33212/DF

d	60 mm
D	110 mm
T	76 mm
2B	76 mm
b	10 mm
K	7.5 mm
$r_{3,4}$ min.	1.5 mm
r_5 min.	0.6 mm
d_a max.	69 mm
D_a min.	93 mm
D_a max.	102 mm
C_a min.	6 mm
r_a max.	1.5 mm
r_c max.	0.6 mm
Basic dynamic load rating C	354 kN
Basic static load rating C_0	475 kN
Fatigue load limit P_u	53 kN
Reference speed	3800 r/min
Limiting speed	6000 r/min
Calculation factor e	0.4
Calculation factor Y_1	1.7
Calculation factor Y_2	2.5
Calculation factor Y_0	1.6
Mass bearing pair	3.16 kg