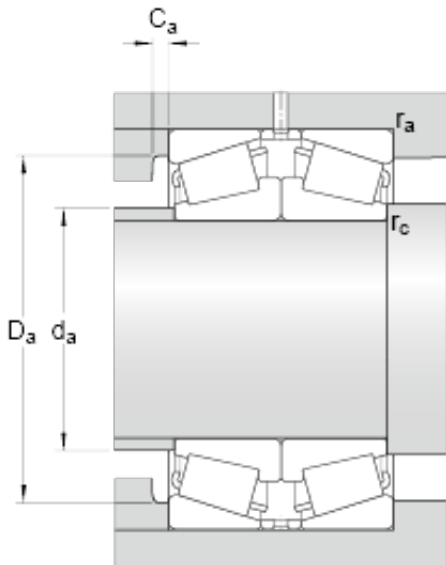




GF BEARING-SINGAPORE LTD.



33017/DF Bearing 2D drawings and 3D CAD models

skf 33017/DF Matched Single row tapered roller bearings arranged face-to-face

Bearing No. 33017/DF

d	85 mm
D	130 mm
T	72 mm
2B	72 mm
b	6 mm
K	4.5 mm
$r_{3,4}$ min.	1.5 mm
r_5 min.	0.6 mm
d_a max.	95 mm
D_a min.	118 mm
D_a max.	121 mm
C_a min.	6 mm
r_a max.	1.5 mm
r_c max.	0.6 mm
Basic dynamic load rating C	382 kN
Basic static load rating C_0	620 kN
Fatigue load limit P_u	69.5 kN
Reference speed	3200 r/min
Limiting speed	4800 r/min
Calculation factor e	0.3
Calculation factor Y_1	2.3
Calculation factor Y_2	3.4
Calculation factor Y_0	2.2
Mass bearing pair	3.52 kg