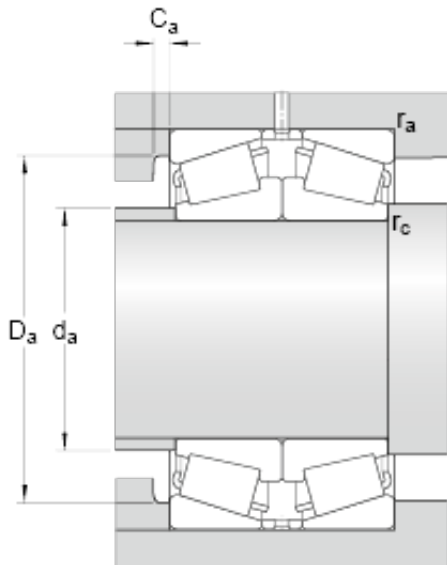




# GF BEARING-SINGAPORE LTD.



32312/DF Bearing 2D drawings and 3D CAD models

skf 32312/DF Matched Single row tapered roller bearings arranged face-to-face

Bearing No. 32312/DF

d	60 mm
D	130 mm
T	97 mm
2B	92 mm
b	15 mm
K	6 mm
$r_{3,4}$ min.	2.5 mm
$r_5$ min.	1 mm
$d_a$ max.	74 mm
$D_a$ min.	107 mm
$D_a$ max.	119.5 mm
$C_a$ min.	6 mm
$r_a$ max.	2.5 mm
$r_c$ max.	1 mm
Basic dynamic load rating C	483 kN
Basic static load rating $C_0$	585 kN
Fatigue load limit $P_u$	68 kN
Reference speed	3200 r/min
Limiting speed	5300 r/min
Calculation factor e	0.35
Calculation factor $Y_1$	1.9
Calculation factor $Y_2$	2.9
Calculation factor $Y_0$	1.8
Mass bearing pair	6.06 kg