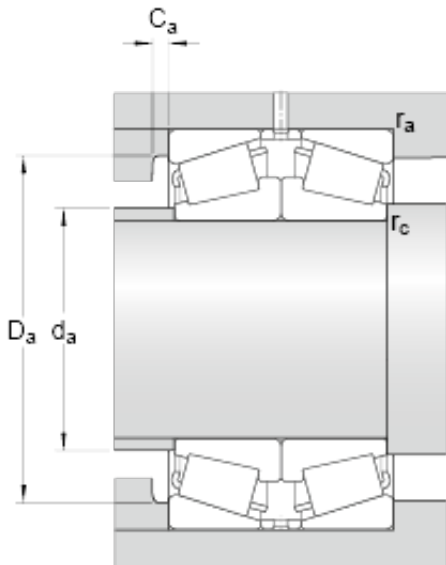




GF BEARING-SINGAPORE LTD.



32968/DF Bearing 2D drawings and 3D CAD models

skf 32968/DF Matched Single row tapered roller bearings arranged face-to-face

Bearing No. 32968/DF

d	340 mm
D	460 mm
T	152 mm
2B	152 mm
b	18 mm
K	16 mm
$r_{3,4}$ min.	3 mm
r_5 min.	1 mm
d_a max.	361 mm
D_a min.	421 mm
D_a max.	444 mm
C_a min.	10 mm
r_a max.	1 mm
r_c max.	1 mm
Basic dynamic load rating C	1995 kN
Basic static load rating C_0	4800 kN
Fatigue load limit P_u	390 kN
Reference speed	700 r/min
Limiting speed	1200 r/min
Calculation factor e	0.44
Calculation factor Y_1	1.5
Calculation factor Y_2	2.3
Calculation factor Y_0	1.4
Mass bearing pair	73 kg