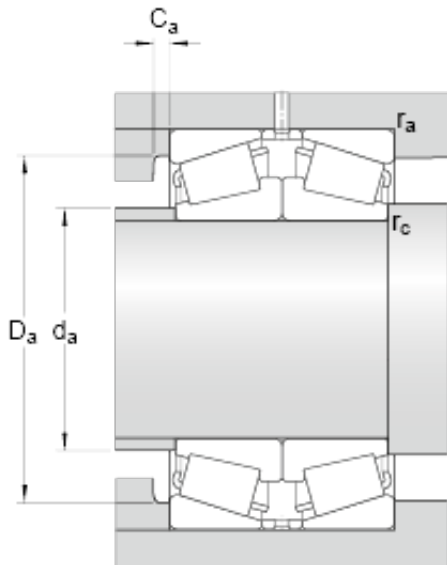




# GF BEARING-SINGAPORE LTD.



32022 X/DFC200 Bearing 2D drawings and 3D CAD models

skf 32022 X/DFC200 Matched Single row tapered roller bearings arranged face-to-face

Bearing No. 32022 X/DFC200

|                                |            |
|--------------------------------|------------|
| d                              | 110 mm     |
| D                              | 170 mm     |
| T                              | 76 mm      |
| 2B                             | 76 mm      |
| b                              | 10 mm      |
| K                              | 7.5 mm     |
| $r_{3,4}$ min.                 | 2 mm       |
| $r_5$ min.                     | 0.6 mm     |
| $d_a$ max.                     | 123 mm     |
| $D_a$ min.                     | 152 mm     |
| $D_a$ max.                     | 159.5 mm   |
| $C_a$ min.                     | 7 mm       |
| $r_a$ max.                     | 2 mm       |
| $r_c$ max.                     | 0.6 mm     |
| Basic dynamic load rating C    | 494 kN     |
| Basic static load rating $C_0$ | 780 kN     |
| Fatigue load limit $P_u$       | 80 kN      |
| Reference speed                | 2400 r/min |
| Limiting speed                 | 3600 r/min |
| Calculation factor e           | 0.43       |
| Calculation factor $Y_1$       | 1.6        |
| Calculation factor $Y_2$       | 2.3        |
| Calculation factor $Y_0$       | 1.6        |
| Mass bearing pair              | 6.32 kg    |