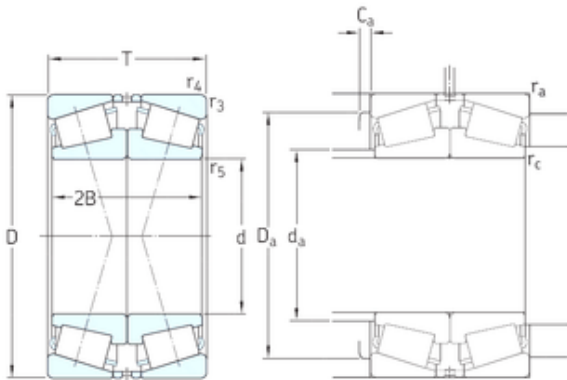




GF BEARING-SINGAPORE LTD.



70 mm x 110 mm x 31 mm skf 33014/DF
Matched Single row tapered roller bearings
arranged face-to-face

Bearing No. 33014/DF

33014/DF Bearing 2D drawings and 3D CAD models

Size	70x110x62 mm
Bore Diameter	70 mm
Outer Diameter	110 mm
Width	62 mm
d	70 mm
D	110 mm
T	62 mm
B	31 mm
r3 min.	1,5 mm
r4 min.	1,5 mm
r5 min.	0,6 mm
2B	62 mm
Ca max.	5 mm
da max	78 mm
Da min	99 mm
Da max.	103 mm
ra max.	1,5 mm
rc max.	0,6 mm
Weight	2,4 Kg
Basic dynamic load rating (C)	220 kN
Basic static load rating (C0)	400 kN
Fatigue load limit (Pu)	45,5
Reference speed	3400 r/min
Limiting speed	5600 r/min



GF BEARING-SINGAPORE LTD.

Calculation factor (e)	0,28
Calculation factor (Y0)	2,5
Calculation factor (Y1)	2,4
b	6 mm
K	4.5 mm
r _{3,4} min.	1.5 mm
r ₅ min.	0.6 mm
d _a max.	78 mm
D _a min.	99 mm
D _a max.	101.5 mm
C _a min.	5 mm
r _a max.	1.5 mm
r _c max.	0.6 mm
Basic dynamic load rating C	273 kN
Basic static load rating C ₀	400 kN
Fatigue load limit P _u	45.5 kN
Calculation factor e	0.28
Calculation factor Y ₁	2.4
Calculation factor Y ₂	3.6
Calculation factor Y ₀	2.5
Mass bearing pair	2.19 kg