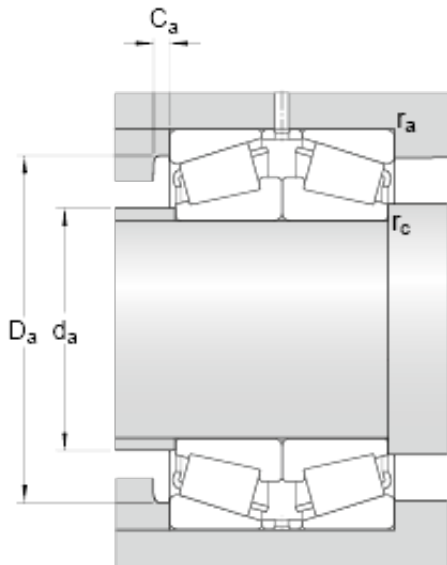




GF BEARING-SINGAPORE LTD.



32017 X/DF Bearing 2D drawings and 3D CAD models

skf 32017 X/DF Matched Single row tapered roller bearings arranged face-to-face

Bearing No. 32017 X/DF

| | |
|--------------------------------|------------|
| d | 85 mm |
| D | 130 mm |
| T | 58 mm |
| 2B | 58 mm |
| b | 6 mm |
| K | 4.5 mm |
| $r_{3,4}$ min. | 1.5 mm |
| r_5 min. | 0.6 mm |
| d_a max. | 95 mm |
| D_a min. | 117 mm |
| D_a max. | 121 mm |
| C_a min. | 6 mm |
| r_a max. | 1.5 mm |
| r_c max. | 0.6 mm |
| Basic dynamic load rating C | 293 kN |
| Basic static load rating C_0 | 450 kN |
| Fatigue load limit P_u | 51 kN |
| Reference speed | 3200 r/min |
| Limiting speed | 4800 r/min |
| Calculation factor e | 0.44 |
| Calculation factor Y_1 | 1.5 |
| Calculation factor Y_2 | 2.3 |
| Calculation factor Y_0 | 1.4 |
| Mass bearing pair | 2.8 kg |