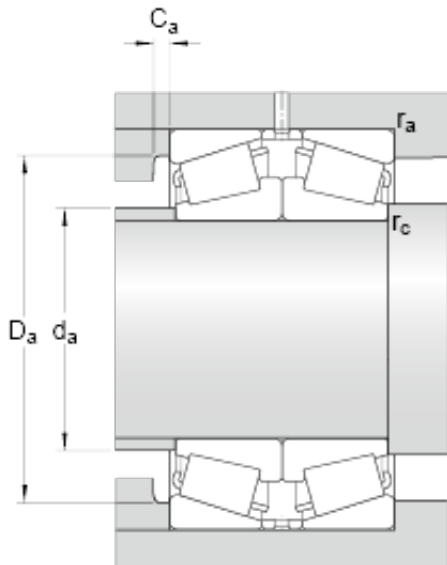




GF BEARING-SINGAPORE LTD.

skf 32016 X/DF Matched Single row tapered roller bearings arranged face-to-face



32016 X/DF Bearing 2D drawings and 3D CAD models

Bearing No. 32016 X/DF

d	80 mm
D	125 mm
T	58 mm
2B	58 mm
b	5 mm
K	4 mm
$r_{3,4}$ min.	1.5 mm
r_5 min.	0.6 mm
d_a max.	90 mm
D_a min.	112 mm
D_a max.	116.5 mm
C_a min.	6 mm
r_a max.	1.5 mm
r_c max.	0.6 mm
Basic dynamic load rating C	288 kN
Basic static load rating C_0	430 kN
Fatigue load limit P_u	49 kN
Reference speed	3200 r/min
Limiting speed	5000 r/min
Calculation factor e	0.43
Calculation factor Y_1	1.6
Calculation factor Y_2	2.3
Calculation factor Y_0	1.6
Mass bearing pair	2.67 kg