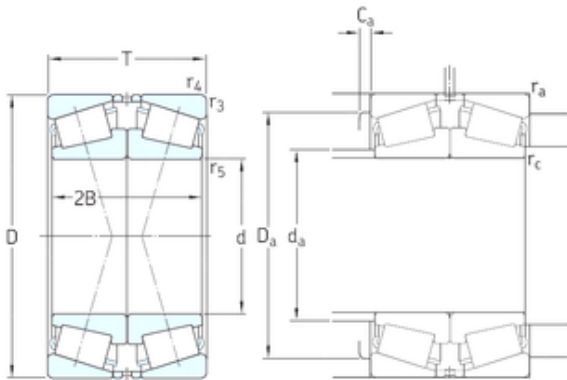




## GF BEARING-SINGAPORE LTD.



180 mm x 250 mm x 45 mm skf 32936/DF  
Matched Single row tapered roller bearings  
arranged face-to-face

Bearing No. 32936/DF

32936/DF Bearing 2D drawings and 3D CAD models

Size	180x250x90 mm
Bore Diameter	180 mm
Outer Diameter	250 mm
Width	90 mm
d	180 mm
D	250 mm
T	90 mm
B	45 mm
r3 min.	2 mm
r4 min.	2 mm
r5 min.	0,6 mm
2B	90 mm
Ca max.	8 mm
da max	194 mm
Da min	225 mm
Da max.	240 mm
ra max.	2 mm
rc max.	0,6 mm
Weight	14 Kg
Basic dynamic load rating (C)	605 kN
Basic static load rating (C0)	1460 kN
Fatigue load limit (Pu)	137
Reference speed	1400 r/min
Limiting speed	2600 r/min



## GF BEARING-SINGAPORE LTD.

Calculation factor (e)	0,48
Calculation factor (Y0)	1,4
Calculation factor (Y1)	1,4
b	10 mm
K	7.5 mm
r <sub>3,4</sub> min.	2 mm
r <sub>5</sub> min.	0.6 mm
d <sub>a</sub> max.	194 mm
D <sub>a</sub> min.	225 mm
D <sub>a</sub> max.	238 mm
C <sub>a</sub> min.	8 mm
r <sub>a</sub> max.	2 mm
r <sub>c</sub> max.	0.6 mm
Basic dynamic load rating C	746 kN
Basic static load rating C <sub>0</sub>	1460 kN
Fatigue load limit P <sub>u</sub>	137 kN
Calculation factor e	0.48
Calculation factor Y <sub>1</sub>	1.4
Calculation factor Y <sub>2</sub>	2.1
Calculation factor Y <sub>0</sub>	1.4
Mass bearing pair	13.8 kg