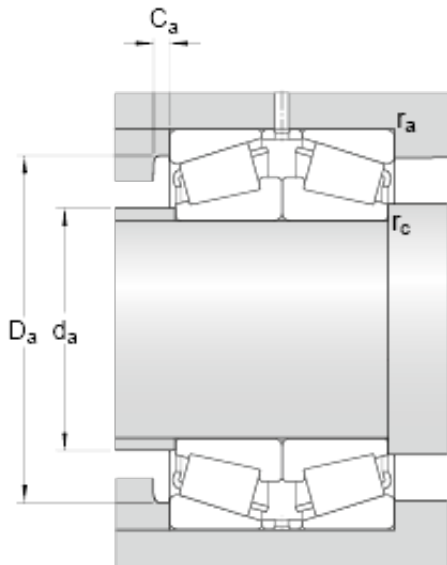




GF BEARING-SINGAPORE LTD.



32256/DF Bearing 2D drawings and 3D CAD models

skf 32256/DF Matched Single row tapered roller bearings arranged face-to-face

Bearing No. 32256/DF

d	280 mm
D	500 mm
T	274 mm
2B	260 mm
b	20 mm
K	16 mm
$r_{3,4}$ min.	5 mm
r_5 min.	1.5 mm
d_a max.	319 mm
D_a min.	418 mm
D_a max.	478 mm
C_a min.	10 mm
r_a max.	4 mm
r_c max.	1.5 mm
Basic dynamic load rating C	2410 kN
Basic static load rating C_0	7800 kN
Fatigue load limit P_u	620 kN
Reference speed	700 r/min
Limiting speed	1200 r/min
Calculation factor e	0.44
Calculation factor Y_1	1.5
Calculation factor Y_2	2.3
Calculation factor Y_0	1.4
Mass bearing pair	226 kg