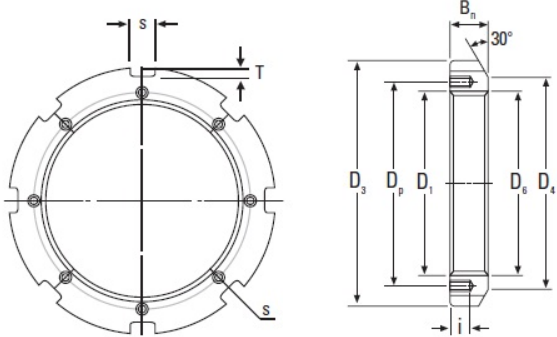




# GF BEARING-SINGAPORE LTD.

## timken HM3188 Metric Locknut



Bearing No. HM3188

Thread $D_1^1$	Tr440x5
$D_3$	560 mm
$D_4$	510 mm
$B_n$	70 mm
s	36 mm
T	20 mm
i	27 mm
Tapped Hole Threads	M16x2
$D_p$	477 mm
Weight	45.30 Kg
Suitable Lockplate No.	MS3188

HM3188 Bearing 2D drawings and 3D CAD models