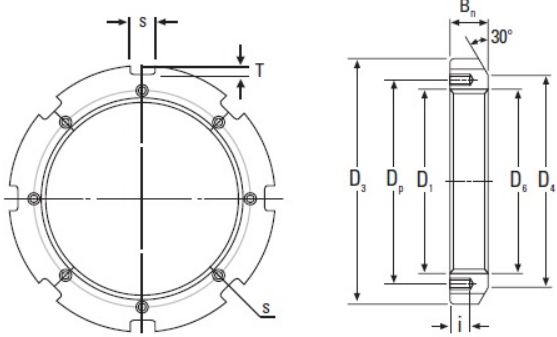




GF BEARING-SINGAPORE LTD.

timken HM30/530 Metric Locknut



Bearing No. HM30/530

Thread D_1^1	Tr530x6
D_3	630 mm
D_4	590 mm
B_n	75 mm
s	40 mm
T	20 mm
i	30 mm
Tapped Hole Threads	M16
D_p	558 mm
Weight	42.8 Kg
Suitable Lockplate No.	MS 30/530

HM30/530 Bearing 2D drawings and 3D CAD models