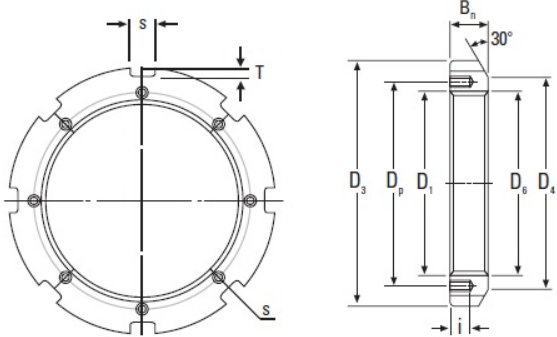




# GF BEARING-SINGAPORE LTD.

## timken HM30/850 Metric Locknut



Bearing No. HM30/850

Thread $D_1^1$	Tr850x7
$D_3$	980 mm
$D_4$	925 mm
$B_n$	90 mm
s	60 mm
T	25 mm
i	40 mm
Tapped Hole Threads	M20
$D_p$	887 mm
Weight	118.00 Kg
Suitable Lockplate No.	MS 30/850

HM30/850 Bearing 2D drawings and 3D CAD models