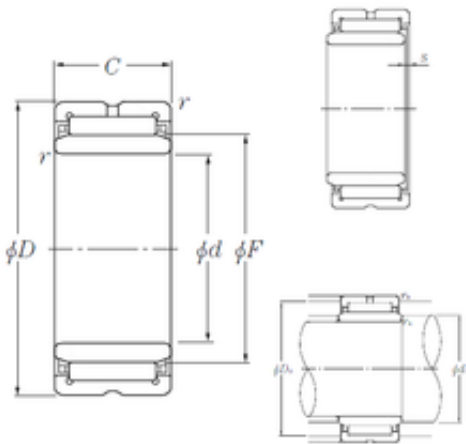




GF BEARING-SINGAPORE LTD.



30 mm x 47 mm x 17 mm NTN NA4906R Needle roller bearing-with inner ring

Bearing No. NA4906R

Size	30x47x17 mm
Bore Diameter	30 mm
Outer Diameter	47 mm
Width	17 mm
d	30 mm
F	35 mm
D	47 mm
B	17 mm
C	17 mm
r min.	0,3 mm
s	0,8 mm
da min.	32 mm
Da max.	45 mm
ra max.	0,3 mm
Weight	0,101 Kg
Basic dynamic load rating (C)	25,5 kN
Basic static load rating (C0)	35,5 kN
(Grease) Lubrication Speed	7 500 r/min
rs min	0.3 mm
s max	0.8 mm
Dw	4 mm
Lw	12.8 mm
Lubrication hole on outer ring	Oui/Yes
k	2.5 mm

NA4906R Bearing 2D drawings and 3D CAD models



GF BEARING-SINGAPORE LTD.

Lubrication hole on inner ring	Non/No
Radial clearance class	CN
Precision class	P0
Mass	0.1 kg
Cr	25.5 kN
C0r	35.5 kN
Nlim (grease)	7,500 rpm
Nlim (oil)	11,000 rpm
Min operating temperature, Tmin	-20 ° C
Max operating temperature, Tmax	120 ° C
Characteristic cage frequency, FTF	0.45 Hz
Characteristic rolling element frequency, BSF	9.65 Hz
Characteristic outer ring frequency, BPF0	8.97 Hz
Characteristic inner ring frequency, BPF1	11.03 Hz
da min	32 mm
Da max	45 mm
ras max	0.3 mm
Category	Bearings
Inventory	0.0
Manufacturer Name	NTN
Minimum Buy Quantity	N/A
Weight / Kilogram	0.108
Product Group	B04144