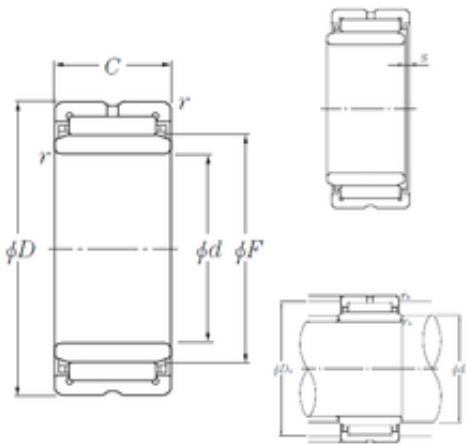




## GF BEARING-SINGAPORE LTD.



### 120 mm x 150 mm x 30 mm NTN NA4824 Needle roller bearing-with inner ring

Bearing No. NA4824

Size	120x150x30 mm
Bore Diameter	120 mm
Outer Diameter	150 mm
Width	30 mm
d	120 mm
F	130 mm
D	150 mm
B	30 mm
C	30 mm
r min.	1 mm
s	0,8 mm
da min.	125 mm
Da max.	145 mm
ra max.	1 mm
Weight	1,17 Kg
Basic dynamic load rating (C)	99,5 kN
Basic static load rating (C0)	233 kN
(Grease) Lubrication Speed	2 100 r/min
rs min	1 mm
s max	0.8 mm
Dw	6 mm
Lw	24 mm
Lubrication hole on outer ring	Oui/Yes
k	3.5 mm

NA4824 Bearing 2D drawings and 3D CAD models



## GF BEARING-SINGAPORE LTD.

Lubrication hole on inner ring	Non/No
Radial clearance class	CN
Precision class	P0
Mass	1.17 kg
Cr	99.5 kN
C0r	233 kN
Nlim (grease)	2,100 rpm
Nlim (oil)	3,100 rpm
Min operating temperature, Tmin	-20 ° C
Max operating temperature, Tmax	120 ° C
Characteristic cage frequency, FTF	0.48 Hz
Characteristic rolling element frequency, BSF	22.62 Hz
Characteristic outer ring frequency, BPF0	20.07 Hz
Characteristic inner ring frequency, BPF1	21.93 Hz
da min	125 mm
Da max	145 mm
ras max	1 mm
Category	Roller Bearings
Inventory	0.0
Manufacturer Name	NTN
Minimum Buy Quantity	N/A
Weight / Kilogram	1.252
Product Group	B04144