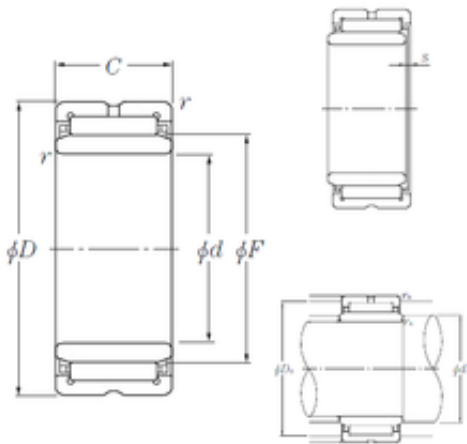




GF BEARING-SINGAPORE LTD.



240 mm x 300 mm x 60 mm NTN NA4848
Needle roller bearing-with inner ring

Bearing No. NA4848

NA4848 Bearing 2D drawings and 3D CAD models

Size	240x300x60 mm
Bore Diameter	240 mm
Outer Diameter	300 mm
Width	60 mm
d	240 mm
F	265 mm
D	300 mm
B	60 mm
C	60 mm
r min.	2 mm
s	2 mm
da min.	249 mm
Da max.	291 mm
ra max.	2 mm
Weight	10 Kg
Basic dynamic load rating (C)	360 kN
Basic static load rating (C0)	1080 kN
(Grease) Lubrication Speed	1 000 r/min
rs min	2 mm
s max	2 mm
Dw	10 mm
Lw	48 mm
Lubrication hole on outer ring	Oui/Yes
k	4 mm



GF BEARING-SINGAPORE LTD.

Lubrication hole on inner ring	Non/No
Radial clearance class	CN
Precision class	P0
Mass	10 kg
Cr	360 kN
C0r	1,080 kN
Nlim (grease)	1,000 rpm
Nlim (oil)	1,500 rpm
Min operating temperature, Tmin	-20 ° C
Max operating temperature, Tmax	120 ° C
Characteristic cage frequency, FTF	0.48 Hz
Characteristic rolling element frequency, BSF	27.46 Hz
Characteristic outer ring frequency, BPF0	26.98 Hz
Characteristic inner ring frequency, BPF1	29.02 Hz
da min	249 mm
Da max	291 mm
ras max	2 mm
Category	Bearings
Inventory	0.0
Manufacturer Name	NTN
Minimum Buy Quantity	N/A
Weight / Kilogram	11.16
Product Group	B04144