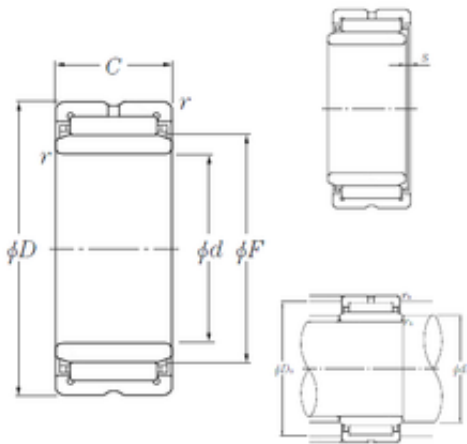




GF BEARING-SINGAPORE LTD.



40 mm x 62 mm x 22 mm NTN NA4908R Needle roller bearing-with inner ring

Bearing No. NA4908R

Size	40x62x22 mm
Bore Diameter	40 mm
Outer Diameter	62 mm
Width	22 mm
d	40 mm
F	48 mm
D	62 mm
B	22 mm
C	22 mm
r min.	0,6 mm
s	1 mm
da min.	44 mm
Da max.	58 mm
ra max.	0,6 mm
Weight	0,232 Kg
Basic dynamic load rating (C)	43,5 kN
Basic static load rating (C0)	66,5 kN
(Grease) Lubrication Speed	5 500 r/min
rs min	0.6 mm
s max	1 mm
Dw	5 mm
Lw	16.8 mm
Lubrication hole on outer ring	Oui/Yes
k	2.5 mm

NA4908R Bearing 2D drawings and 3D CAD models



GF BEARING-SINGAPORE LTD.

Lubrication hole on inner ring	Non/No
Radial clearance class	CN
Precision class	P0
Mass	0.23 kg
Cr	43.5 kN
C0r	66.5 kN
Nlim (grease)	5,500 rpm
Nlim (oil)	8,500 rpm
Min operating temperature, Tmin	-20 ° C
Max operating temperature, Tmax	120 ° C
Characteristic cage frequency, FTF	0.45 Hz
Characteristic rolling element frequency, BSF	10.51 Hz
Characteristic outer ring frequency, BPF0	9.96 Hz
Characteristic inner ring frequency, BPF1	12.04 Hz
da min	44 mm
Da max	58 mm
ras max	0.6 mm
Category	Roller Bearings
Inventory	0.0
Manufacturer Name	NTN
Minimum Buy Quantity	N/A
Weight / Kilogram	0.233
EAN	4547359113204
Product Group	B04144