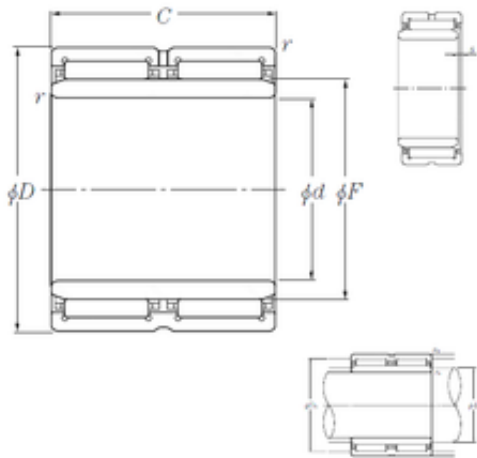




GF BEARING-SINGAPORE LTD.



15 mm x 28 mm x 23 mm NTN NA6902R Needle roller bearing-with inner ring

Bearing No. NA6902R

Size	15x28x23 mm
Bore Diameter	15 mm
Outer Diameter	28 mm
Width	23 mm
d	15 mm
F	20 mm
D	28 mm
B	23 mm
C	23 mm
r min.	0,3 mm
s	1 mm
da min.	17 mm
Da max.	26 mm
ra max.	0,3 mm
Weight	0,064 Kg
Basic dynamic load rating (C)	17,6 kN
Basic static load rating (C0)	25,3 kN
(Grease) Lubrication Speed	13 000 r/min
rs min	0.3 mm
s max	1 mm
Dw	2.5 mm
Lw	17.8 mm
Lubrication hole on outer ring	Oui/Yes
k	2 mm

NA6902R Bearing 2D drawings and 3D CAD models



GF BEARING-SINGAPORE LTD.

Lubrication hole on inner ring	Non/No
Radial clearance class	CN
Precision class	P0
Mass	0.06 kg
Cr	17.6 kN
C0r	25.3 kN
Nlim (grease)	13,000 rpm
Nlim (oil)	20,000 rpm
Min operating temperature, Tmin	-20 ° C
Max operating temperature, Tmax	120 ° C
Characteristic cage frequency, FTF	0.44 Hz
Characteristic rolling element frequency, BSF	8.89 Hz
Characteristic outer ring frequency, BPF0	3.56 Hz
Characteristic inner ring frequency, BPF1	4.44 Hz
da min	17 mm
Da max	26 mm
ras max	0.3 mm
Category	Bearings
Inventory	0.0
Manufacturer Name	NTN
Minimum Buy Quantity	N/A
Weight / Kilogram	0.065
Product Group	B04144