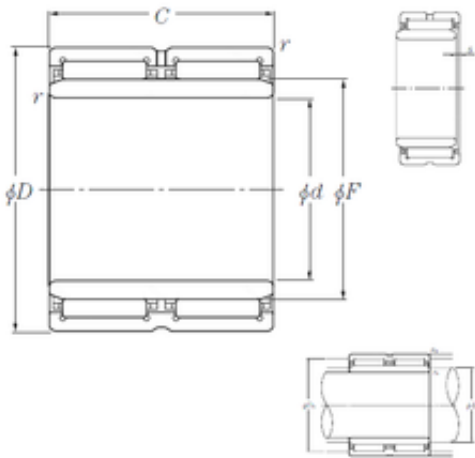




## GF BEARING-SINGAPORE LTD.



### 35 mm x 55 mm x 36 mm NTN NA6907R Needle roller bearing-with inner ring

Bearing No. NA6907R

NA6907R Bearing 2D drawings and 3D CAD models

Size	35x55x36 mm
Bore Diameter	35 mm
Outer Diameter	55 mm
Width	36 mm
d	35 mm
F	42 mm
D	55 mm
B	36 mm
C	36 mm
r min.	0,6 mm
s	0,5 mm
da min.	39 mm
Da max.	51 mm
ra max.	0,6 mm
Weight	0,31 Kg
Basic dynamic load rating (C)	49 kN
Basic static load rating (C0)	86,5 kN
(Grease) Lubrication Speed	6 500 r/min
rs min	0.6 mm
s max	0.5 mm
Dw	4 mm
Lw	13.8 mm
Lubrication hole on outer ring	Oui/Yes
k	2.5 mm



## GF BEARING-SINGAPORE LTD.

Lubrication hole on inner ring	Non/No
Radial clearance class	CN
Precision class	P0
Mass	0.31 kg
Cr	49 kN
C0r	86.5 kN
Nlim (grease)	6,500 rpm
Nlim (oil)	9,500 rpm
Min operating temperature, Tmin	-20 ° C
Max operating temperature, Tmax	120 ° C
Characteristic cage frequency, FTF	0.46 Hz
Characteristic rolling element frequency, BSF	11.41 Hz
Characteristic outer ring frequency, BPF0	10.04 Hz
Characteristic inner ring frequency, BPF1	11.96 Hz
da min	39 mm
Da max	51 mm
ras max	0.6 mm
Category	Roller Bearings
Inventory	0.0
Manufacturer Name	NTN
Minimum Buy Quantity	N/A
Weight / Kilogram	0.312
EAN	4547359114089
Product Group	B04144