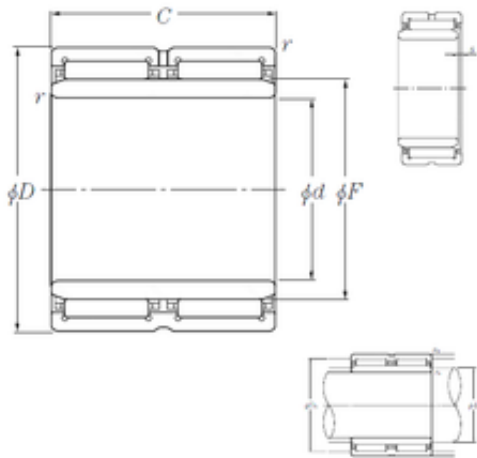




GF BEARING-SINGAPORE LTD.



45 mm x 68 mm x 40 mm NTN NA6909R Needle roller bearing-with inner ring

Bearing No. NA6909R

NA6909R Bearing 2D drawings and 3D CAD models

Size	45x68x40 mm
Bore Diameter	45 mm
Outer Diameter	68 mm
Width	40 mm
d	45 mm
F	52 mm
D	68 mm
B	40 mm
C	40 mm
r min.	0,6 mm
s	0,5 mm
da min.	49 mm
Da max.	64 mm
ra max.	0,6 mm
Weight	0,437 Kg
Basic dynamic load rating (C)	70,5 kN
Basic static load rating (C0)	127 kN
(Grease) Lubrication Speed	5 000 r/min
rs min	0.6 mm
s max	0.5 mm
Dw	5 mm
Lw	14.8 mm
Lubrication hole on outer ring	Oui/Yes
k	3 mm



GF BEARING-SINGAPORE LTD.

Lubrication hole on inner ring	Non/No
Radial clearance class	CN
Precision class	P0
Mass	0.44 kg
Cr	70.5 kN
C0r	127 kN
Nlim (grease)	5,000 rpm
Nlim (oil)	7,500 rpm
Min operating temperature, Tmin	-20 ° C
Max operating temperature, Tmax	120 ° C
Characteristic cage frequency, FTF	0.46 Hz
Characteristic rolling element frequency, BSF	11.31 Hz
Characteristic outer ring frequency, BPF0	10.95 Hz
Characteristic inner ring frequency, BPF1	13.05 Hz
da min	49 mm
Da max	64 mm
ras max	0.6 mm
Category	Bearings
Inventory	0.0
Manufacturer Name	NTN
Minimum Buy Quantity	N/A
Weight / Kilogram	0.53
Product Group	B04144