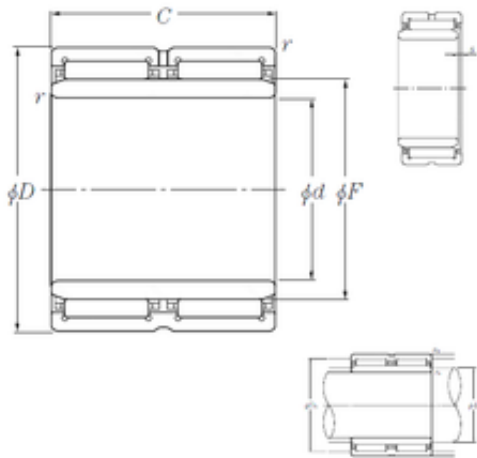




GF BEARING-SINGAPORE LTD.



55 mm x 80 mm x 45 mm NTN NA6911R Needle roller bearing-with inner ring

Bearing No. NA6911R

NA6911R Bearing 2D drawings and 3D CAD models

Size	55x80x45 mm
Bore Diameter	55 mm
Outer Diameter	80 mm
Width	45 mm
d	55 mm
F	63 mm
D	80 mm
B	45 mm
C	45 mm
r min.	1 mm
s	1,5 mm
da min.	60 mm
Da max.	75 mm
ra max.	1 mm
Weight	0,726 Kg
Basic dynamic load rating (C)	94 kN
Basic static load rating (C0)	183 kN
(Grease) Lubrication Speed	4 300 r/min
rs min	1 mm
s max	1.5 mm
Dw	5.5 mm
Lw	16.8 mm
Lubrication hole on outer ring	Oui/Yes
k	3 mm



GF BEARING-SINGAPORE LTD.

Lubrication hole on inner ring	Non/No
Radial clearance class	CN
Precision class	P0
Mass	0.73 kg
Cr	94 kN
C0r	183 kN
Nlim (grease)	4,300 rpm
Nlim (oil)	6,500 rpm
Min operating temperature, Tmin	-20 ° C
Max operating temperature, Tmax	120 ° C
Characteristic cage frequency, FTF	0.46 Hz
Characteristic rolling element frequency, BSF	12.37 Hz
Characteristic outer ring frequency, BPF0	12.42 Hz
Characteristic inner ring frequency, BPF1	14.58 Hz
da min	60 mm
Da max	75 mm
ras max	1 mm
Category	Bearings
Inventory	0.0
Manufacturer Name	NTN
Minimum Buy Quantity	N/A
Weight / Kilogram	0.758
Product Group	B04144