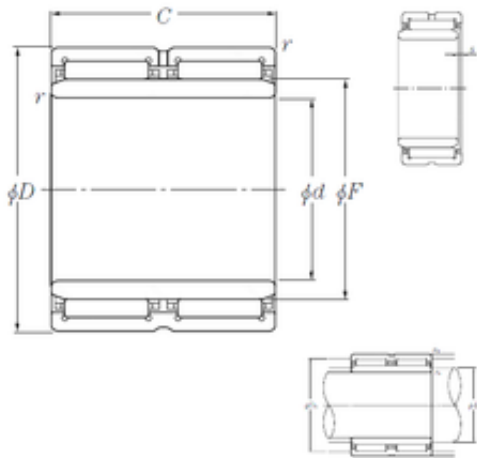




GF BEARING-SINGAPORE LTD.



60 mm x 85 mm x 45 mm NTN NA6912R Needle roller bearing-with inner ring

Bearing No. NA6912R

NA6912R Bearing 2D drawings and 3D CAD models

Size	60x85x45 mm
Bore Diameter	60 mm
Outer Diameter	85 mm
Width	45 mm
d	60 mm
F	68 mm
D	85 mm
B	45 mm
C	45 mm
r min.	1 mm
s	1,5 mm
da min.	65 mm
Da max.	80 mm
ra max.	1 mm
Weight	0,758 Kg
Basic dynamic load rating (C)	95,5 kN
Basic static load rating (C0)	191 kN
(Grease) Lubrication Speed	4 000 r/min
rs min	1 mm
s max	1.5 mm
Dw	5.5 mm
Lw	16.8 mm
Lubrication hole on outer ring	Oui/Yes
k	3 mm



GF BEARING-SINGAPORE LTD.

Lubrication hole on inner ring	Non/No
Radial clearance class	CN
Precision class	P0
Mass	0.76 kg
Cr	95.5 kN
C0r	191 kN
Nlim (grease)	4,000 rpm
Nlim (oil)	6,000 rpm
Min operating temperature, Tmin	-20 ° C
Max operating temperature, Tmax	120 ° C
Characteristic cage frequency, FTF	0.46 Hz
Characteristic rolling element frequency, BSF	13.29 Hz
Characteristic outer ring frequency, BPF0	12.95 Hz
Characteristic inner ring frequency, BPF1	15.05 Hz
da min	65 mm
Da max	80 mm
ras max	1 mm
Category	Roller Bearings
Inventory	0.0
Manufacturer Name	NTN
Minimum Buy Quantity	N/A
Weight / Kilogram	0.785
EAN	4547359114225
Product Group	B04144
bore diameter:	2.3622 in
closure type:	Open
outside diameter:	3.3465 in



GF BEARING-SINGAPORE LTD.

cage material:	Steel
overall width:	1.7717 in
manufacturer upc number:	4547359114225