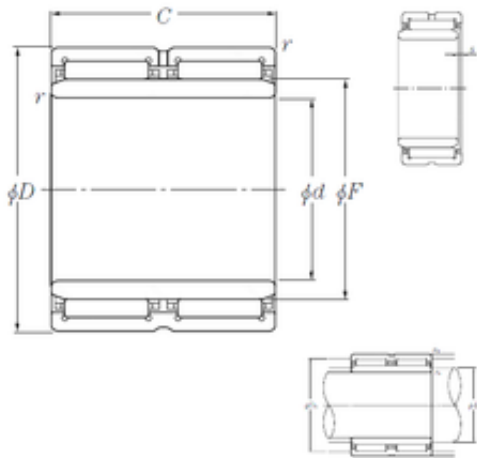




## GF BEARING-SINGAPORE LTD.



### 65 mm x 90 mm x 45 mm NTN NA6913R Needle roller bearing-with inner ring

Bearing No. NA6913R

NA6913R Bearing 2D drawings and 3D CAD models

Size	65x90x45 mm
Bore Diameter	65 mm
Outer Diameter	90 mm
Width	45 mm
d	65 mm
F	72 mm
D	90 mm
B	45 mm
C	45 mm
r min.	1 mm
s	1,5 mm
da min.	70 mm
Da max.	85 mm
ra max.	1 mm
Weight	0,779 Kg
Basic dynamic load rating (C)	97 kN
Basic static load rating (C0)	198 kN
(Grease) Lubrication Speed	3 700 r/min
rs min	1 mm
s max	1.5 mm
Dw	5.5 mm
Lw	16.8 mm
Lubrication hole on outer ring	Oui/Yes
k	3 mm



## GF BEARING-SINGAPORE LTD.

Lubrication hole on inner ring	Non/No
Radial clearance class	CN
Precision class	P0
Mass	0.78 kg
Cr	97 kN
C0r	198 kN
Nlim (grease)	3,700 rpm
Nlim (oil)	5,500 rpm
Min operating temperature, Tmin	-20 ° C
Max operating temperature, Tmax	120 ° C
Characteristic cage frequency, FTF	0.46 Hz
Characteristic rolling element frequency, BSF	14.02 Hz
Characteristic outer ring frequency, BPF0	13.47 Hz
Characteristic inner ring frequency, BPF1	15.53 Hz
da min	70 mm
Da max	85 mm
ras max	1 mm
Category	Roller Bearings
Inventory	0.0
Manufacturer Name	NTN
Minimum Buy Quantity	N/A
Weight / Kilogram	0.864
EAN	4547359114249
Product Group	B04144