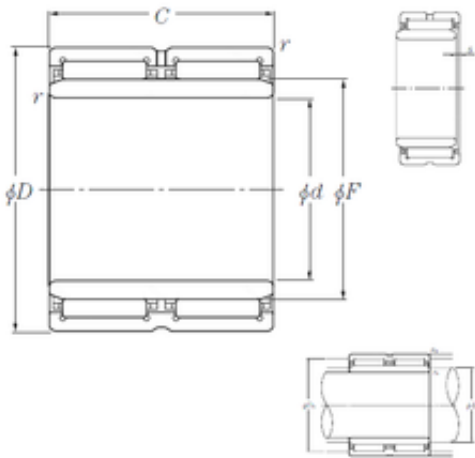




GF BEARING-SINGAPORE LTD.



70 mm x 100 mm x 54 mm NTN NA6914R Needle roller bearing-with inner ring

Bearing No. NA6914R

NA6914R Bearing 2D drawings and 3D CAD models

Size	70x100x54 mm
Bore Diameter	70 mm
Outer Diameter	100 mm
Width	54 mm
d	70 mm
F	80 mm
D	100 mm
B	54 mm
C	54 mm
r min.	1 mm
s	1 mm
da min.	75 mm
Da max.	95 mm
ra max.	1 mm
Weight	1,34 Kg
Basic dynamic load rating (C)	130 kN
Basic static load rating (C0)	267 kN
(Grease) Lubrication Speed	3 300 r/min
rs min	1 mm
s max	1 mm
Dw	6.5 mm
Lw	20 mm
Lubrication hole on outer ring	Oui/Yes
k	3 mm



GF BEARING-SINGAPORE LTD.

Lubrication hole on inner ring	Non/No
Radial clearance class	CN
Precision class	P0
Mass	1.34 kg
Cr	130 kN
C0r	267 kN
Nlim (grease)	3,300 rpm
Nlim (oil)	5,000 rpm
Min operating temperature, Tmin	-20 ° C
Max operating temperature, Tmax	120 ° C
Characteristic cage frequency, FTF	0.46 Hz
Characteristic rolling element frequency, BSF	13.23 Hz
Characteristic outer ring frequency, BPF0	12.95 Hz
Characteristic inner ring frequency, BPF1	15.05 Hz
da min	75 mm
Da max	95 mm
ras max	1 mm
Category	Roller Bearings
Inventory	0.0
Manufacturer Name	NTN
Minimum Buy Quantity	N/A
Weight / Kilogram	1.31
EAN	4547359114263
Product Group	B04144