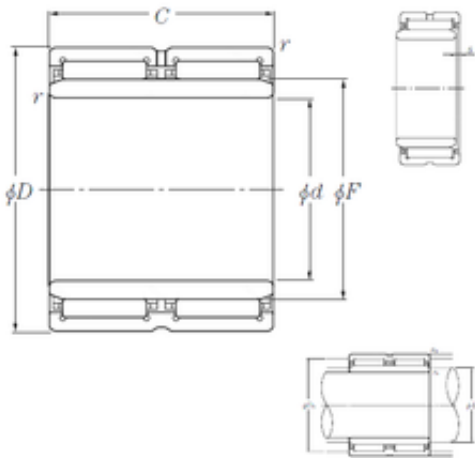




GF BEARING-SINGAPORE LTD.



75 mm x 105 mm x 54 mm NTN NA6915R Needle roller bearing-with inner ring

Bearing No. NA6915R

NA6915R Bearing 2D drawings and 3D CAD models

Size	75x105x54 mm
Bore Diameter	75 mm
Outer Diameter	105 mm
Width	54 mm
d	75 mm
F	85 mm
D	105 mm
B	54 mm
C	54 mm
r min.	1 mm
s	1 mm
da min.	80 mm
Da max.	100 mm
ra max.	1 mm
Weight	1,45 Kg
Basic dynamic load rating (C)	132 kN
Basic static load rating (C0)	277 kN
(Grease) Lubrication Speed	3 100 r/min
rs min	1 mm
s max	1 mm
Dw	6.5 mm
Lw	20 mm
Lubrication hole on outer ring	Oui/Yes
k	3 mm



GF BEARING-SINGAPORE LTD.

Lubrication hole on inner ring	Non/No
Radial clearance class	CN
Precision class	P0
Mass	1.45 kg
Cr	132 kN
C0r	277 kN
Nlim (grease)	3,100 rpm
Nlim (oil)	4,700 rpm
Min operating temperature, Tmin	-20 ° C
Max operating temperature, Tmax	120 ° C
Characteristic cage frequency, FTF	0.46 Hz
Characteristic rolling element frequency, BSF	14.01 Hz
Characteristic outer ring frequency, BPF0	13.47 Hz
Characteristic inner ring frequency, BPF1	15.53 Hz
da min	80 mm
Da max	100 mm
ras max	1 mm
Category	Bearings
Inventory	0.0
Manufacturer Name	NTN
Minimum Buy Quantity	N/A
Weight / Kilogram	1.454
Product Group	B04144