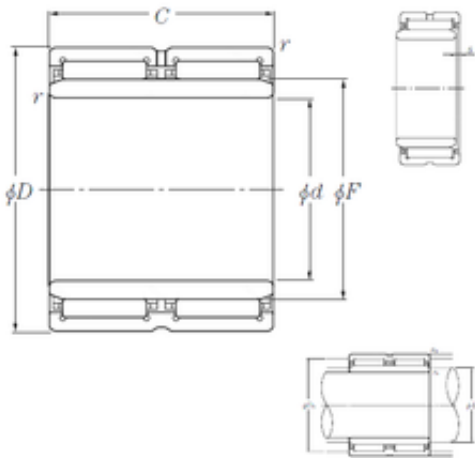




## GF BEARING-SINGAPORE LTD.



### 80 mm x 110 mm x 54 mm NTN NA6916R Needle roller bearing-with inner ring

Bearing No. NA6916R

NA6916R Bearing 2D drawings and 3D CAD models

Size	80x110x54 mm
Bore Diameter	80 mm
Outer Diameter	110 mm
Width	54 mm
d	80 mm
F	90 mm
D	110 mm
B	54 mm
C	54 mm
r min.	1 mm
s	1,5 mm
da min.	85 mm
Da max.	105 mm
ra max.	1 mm
Weight	1,53 Kg
Basic dynamic load rating (C)	137 kN
Basic static load rating (C0)	298 kN
(Grease) Lubrication Speed	2 900 r/min
rs min	1 mm
s max	1.5 mm
Dw	6.5 mm
Lw	20 mm
Lubrication hole on outer ring	Oui/Yes
k	3 mm



## GF BEARING-SINGAPORE LTD.

Lubrication hole on inner ring	Non/No
Radial clearance class	CN
Precision class	P0
Mass	1.53 kg
Cr	137 kN
C0r	298 kN
Nlim (grease)	2,900 rpm
Nlim (oil)	4,400 rpm
Min operating temperature, Tmin	-20 ° C
Max operating temperature, Tmax	120 ° C
Characteristic cage frequency, FTF	0.47 Hz
Characteristic rolling element frequency, BSF	14.78 Hz
Characteristic outer ring frequency, BPF0	14.46 Hz
Characteristic inner ring frequency, BPF1	16.54 Hz
da min	85 mm
Da max	105 mm
ras max	1 mm
Category	Bearings
Inventory	0.0
Manufacturer Name	NTN
Minimum Buy Quantity	N/A
Weight / Kilogram	1.54
Product Group	B04144