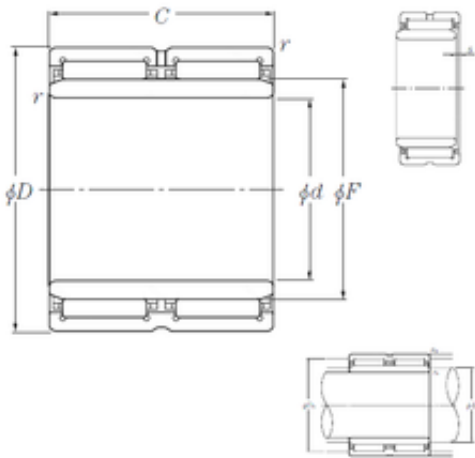




## GF BEARING-SINGAPORE LTD.



### 85 mm x 120 mm x 63 mm NTN NA6917R Needle roller bearing-with inner ring

Bearing No. NA6917R

NA6917R Bearing 2D drawings and 3D CAD models

Size	85x120x63 mm
Bore Diameter	85 mm
Outer Diameter	120 mm
Width	63 mm
d	85 mm
F	100 mm
D	120 mm
B	63 mm
C	63 mm
r min.	1,1 mm
s	1 mm
da min.	91,5 mm
Da max.	113,5 mm
ra max.	1 mm
Weight	2,25 Kg
Basic dynamic load rating (C)	169 kN
Basic static load rating (C0)	400 kN
(Grease) Lubrication Speed	2 700 r/min
rs min	1.1 mm
s max	1 mm
Dw	6.5 mm
Lw	24 mm
Lubrication hole on outer ring	Oui/Yes
k	3.5 mm



## GF BEARING-SINGAPORE LTD.

Lubrication hole on inner ring	Non/No
Radial clearance class	CN
Precision class	P0
Mass	1.2 kg
Cr	169 kN
C0r	400 kN
Nlim (grease)	2,700 rpm
Nlim (oil)	4,000 rpm
Min operating temperature, Tmin	-20 ° C
Max operating temperature, Tmax	120 ° C
Characteristic cage frequency, FTF	0.47 Hz
Characteristic rolling element frequency, BSF	16.32 Hz
Characteristic outer ring frequency, BPF0	15.96 Hz
Characteristic inner ring frequency, BPF1	18.04 Hz
da min	91.5 mm
Da max	104 mm
ras max	1.1 mm
Category	Bearings
Inventory	0.0
Manufacturer Name	NTN
Minimum Buy Quantity	N/A
Weight / Kilogram	2.32
Product Group	B04144